

Expantion Box Type 450e (A872)

PARTS CATALOG

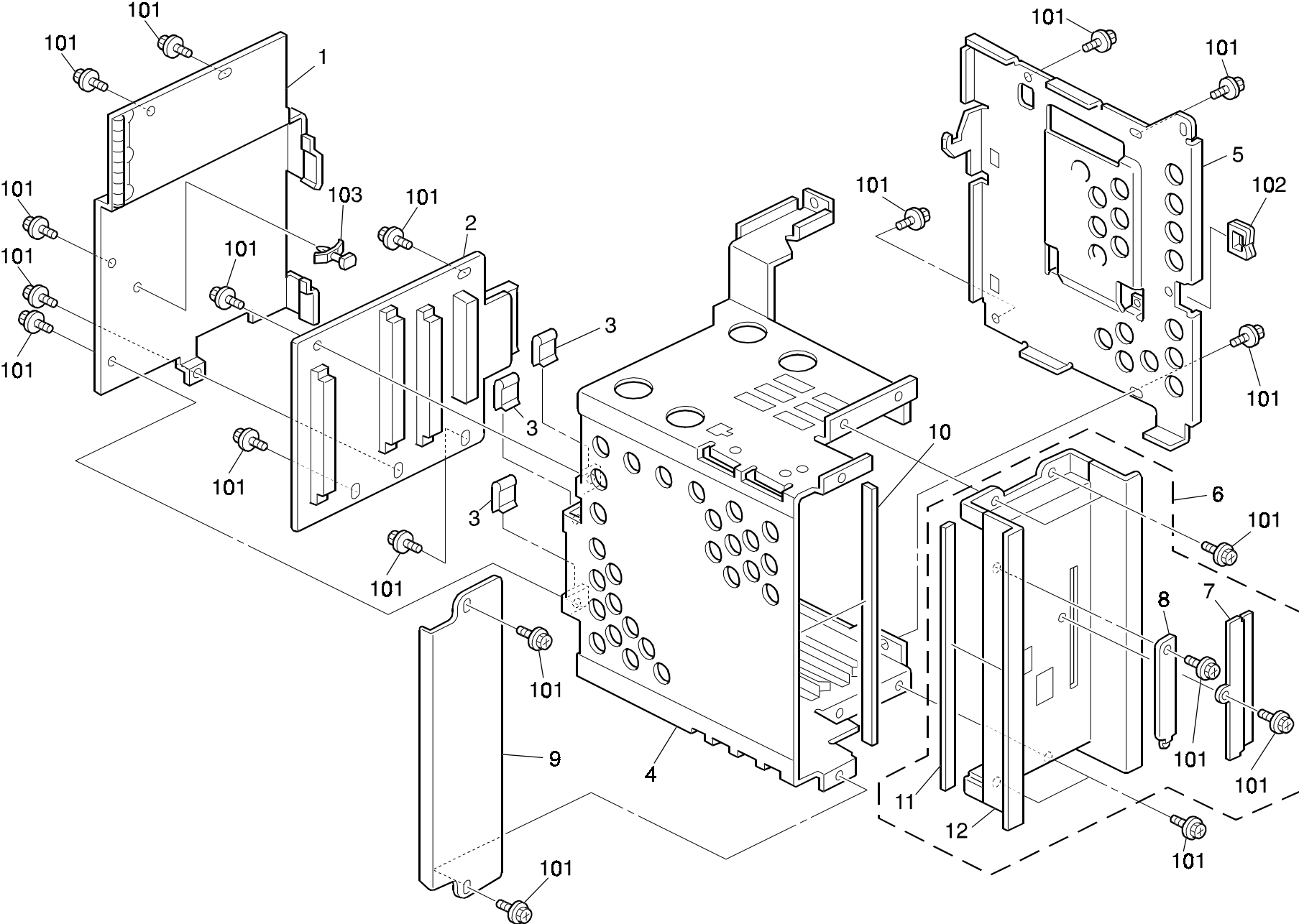
INTRODUCTION

This chapter instructs you the numbers and names of parts on this machine.

INDEX to PARTS CATALOG

1.Expansion Box (A872)	2
PAARTS INDEX	5

1.Expansion Box (A872)



1.Expansion Box (A872)

Index No.	Part No.	Description	Qty Per Assembly
1	A285 5865	Cover - Rear	1
2	A285 5155	Mother Board	1
3	A232 1284	Spring Holder	4
4	A233 5871	Expansion Rack	1
5	A285 5879	Stay - Rack - Front	1
6	A872 5890	G4 Rack Cover Ass'y	1
7	A233 5892	FAX Control Cover	1
8	A285 5893	Card Cover	1
9	A285 5895	Printer Rack Cover	1
10	A285 5842	Gasket - Rack	1
11	A285 5841	Gasket - Panel	1
12	A872 5891	G4 Rack Cover	1

Index No.	Part No.	Description	Qty Per Assembly
101	0451 3006B	Tapping Screw - M3x6	
102	1105 0349	Edge Saddle	
103	1105 0409	Card Spacer- 6.4mm	

PARTS INDEX

Parts Index

Part No.	Description	Page and Index No.
A872 5890	G4 Rack Cover Ass'y	3- 6
A872 5891	G4 Rack Cover	3- 12
A232 1284	Spring Holder	3- 3
A233 5871	Expansion Rack	3- 4
A233 5892	FAX Control Cover	3- 7
A285 5155	Mother Board	3- 2
A285 5841	Gasket - Panel	3- 11
A285 5842	Gasket - Rack	3- 10
A285 5865	Cover - Rear	3- 1
A285 5879	Stay - Rack - Front	3- 5
A285 5893	Card Cover	3- 8
A285 5895	Printer Rack Cover	3- 9

Part No.	Description	Page and Index No
0451 3006B	Tapping Screw - M3x6	3-101
1105 0349	Edge Saddle	3-102
1105 0409	Card Spacer- 6.4mm	3-103